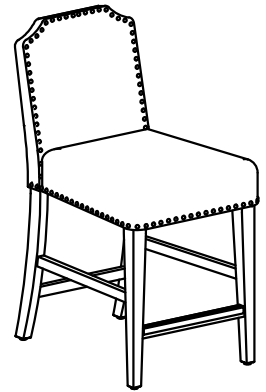


Warning :

- Be sure to check all packing material carefully for small parts, which may have come loose inside the carton during shipment.
- To prevent possible scratches and damage, this furniture must be assembled on a soft surface such as a blanket or carpet.



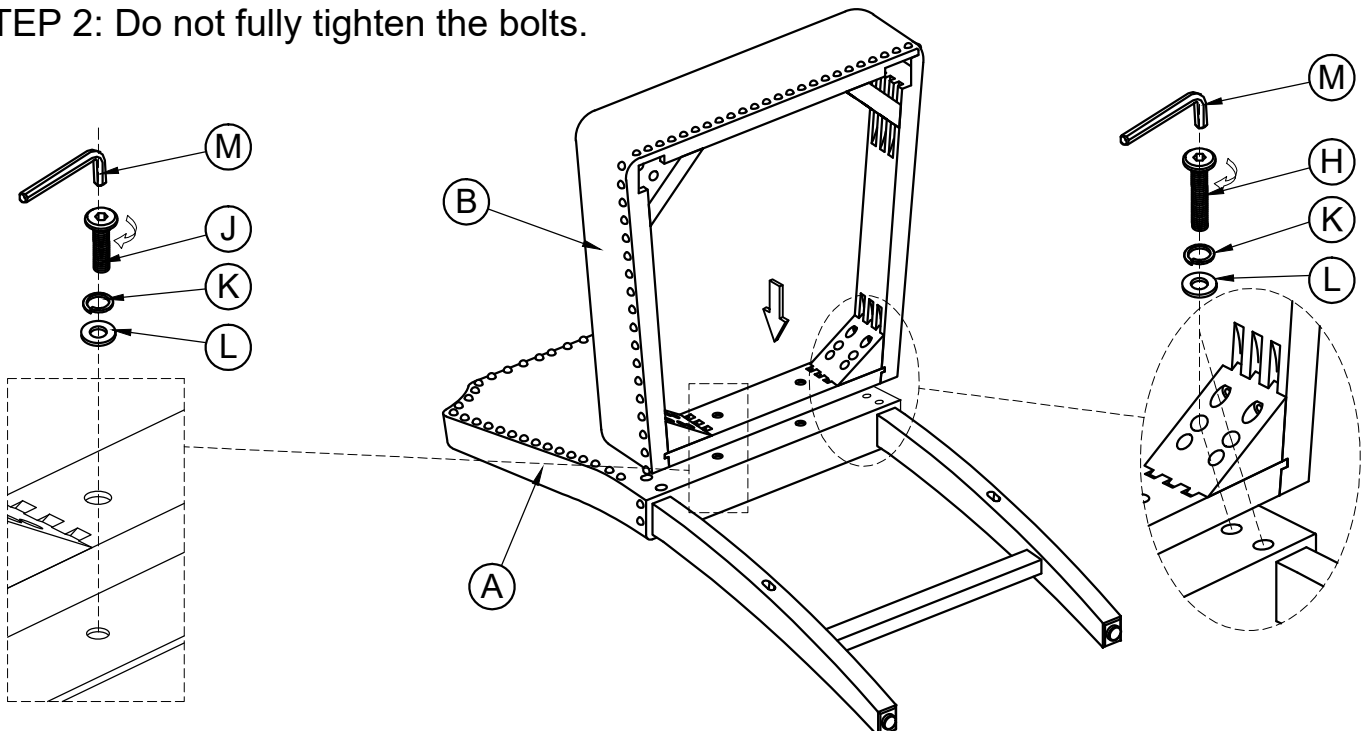
92615 / 16 / 17

Clipped Top Uph Stool

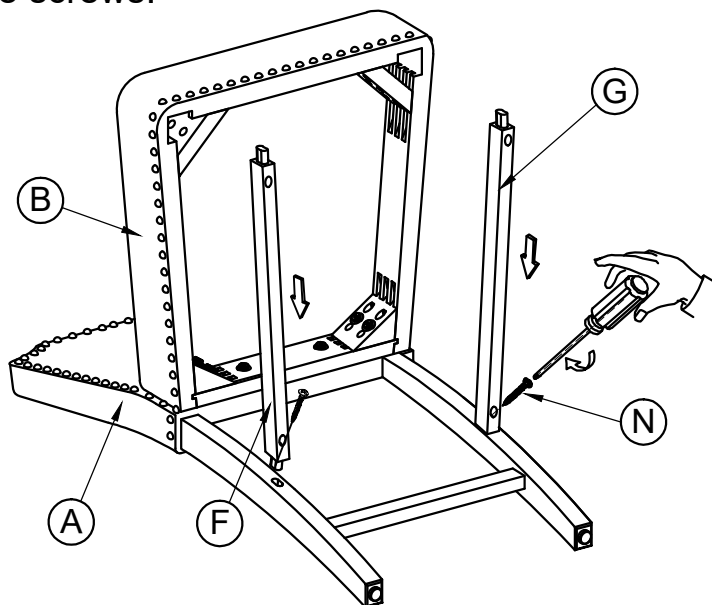
Components and Hardware List

Chair Back <p>(A) 1 pc.</p>	Seat Frame <p>(B) 1 pc.</p>	Front Leg (Left) <p>(C) 1 pc.</p>	Front Leg (Right) <p>(D) 1 pc.</p>	Front Stretcher 15-7/8" x 1-1/4" x 3/4" <p>(E) 1 pc.</p>		
Side Stretcher (Left) 18-7/8" x 1-1/4" x 3/4" <p>(F) 1 pc.</p>	Side Stretcher (Right) 18-7/8" x 1-1/4" x 3/4" <p>(G) 1 pc.</p>	Allen Head Bolt Ø5/16" x 18 x 3-3/8" <p>(H) 4 pcs.</p>	Allen Head Bolt Ø5/16" x 18 x 2-1/8" <p>(I) 4 pcs.</p>	Allen Head Bolt Ø5/16" x 18 x 1-3/4" <p>(J) 2 pcs.</p>	Ø5/16" Spring Washer <p>(K) 10 pcs.</p>	Ø5/16" Flat Washer <p>(L) 10 pcs.</p>
4mm Allen Key <p>(M) 1 pc.</p>	Wood Screw Ø4x45 mm <p>(N) 6 pcs.</p>	Screw Driver not included 		STEP 1: Remove Velcro strips on the seat frame to assemble the chair back and front legs.		
Upholstery Tack <p>6 pcs.</p>						

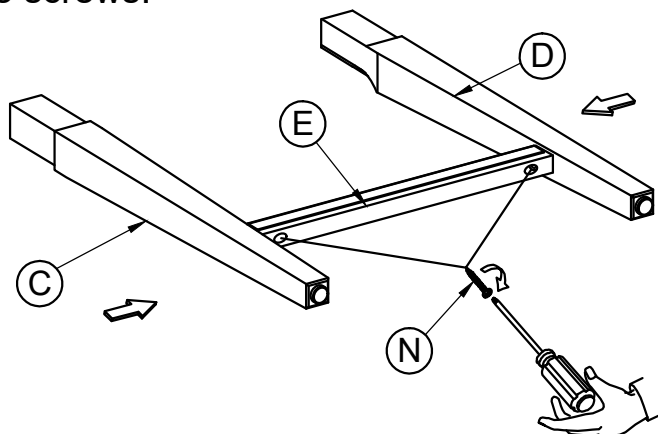
STEP 2: Do not fully tighten the bolts.



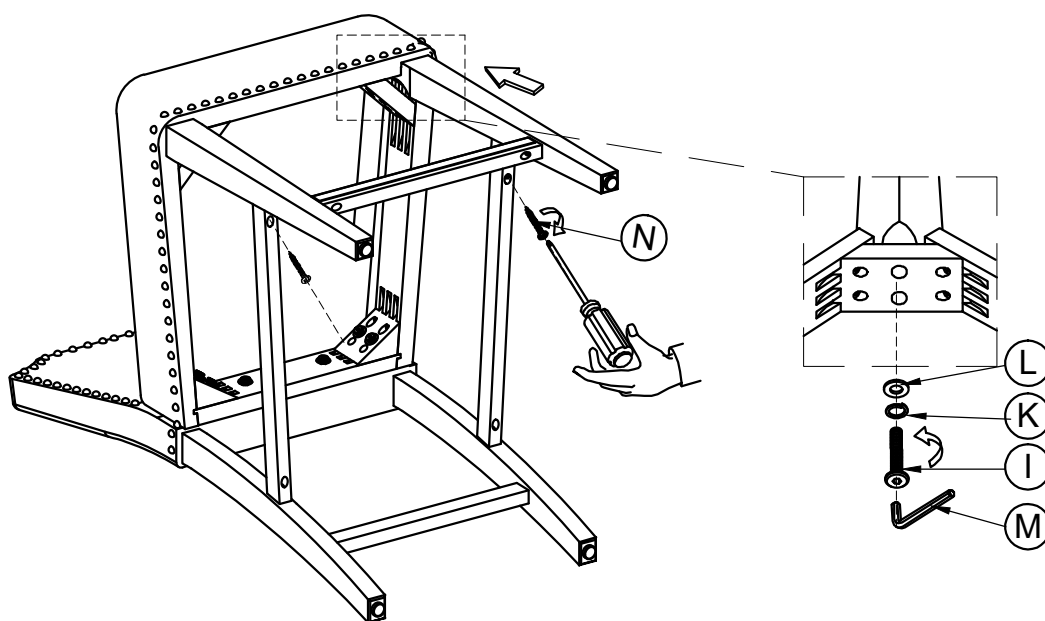
STEP 3: Do not fully tighten the screws.



STEP 4: Do not fully tighten the screws.

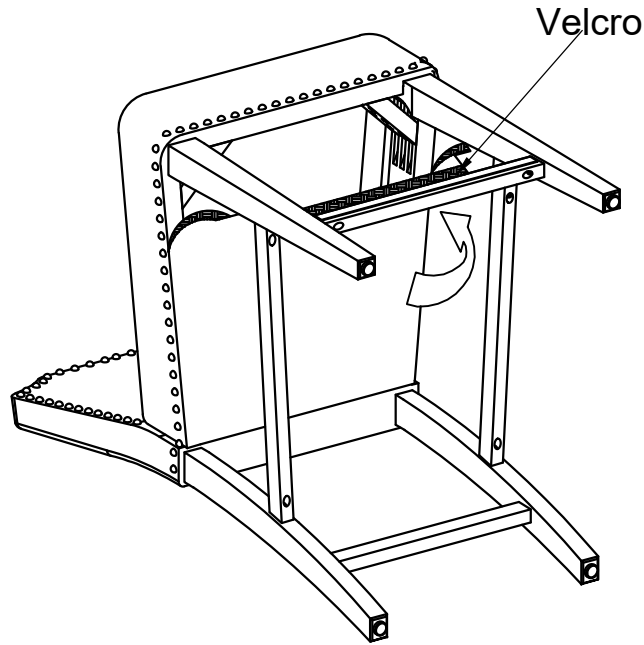


STEP 5: Using the Allen Key to tighten all bolts.

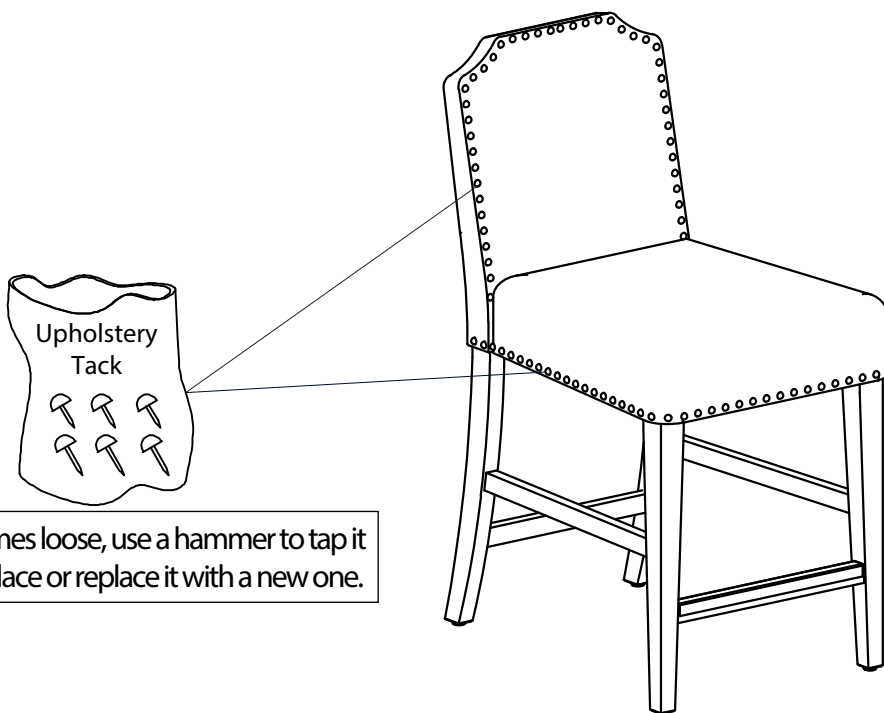


STEP 6: Using the Philips Head Screw driver to tighten all screws.

STEP 7: Attach all Velcro strips to the seat frame.



COMPLETE



If a tack comes loose, use a hammer to tap it back into place or replace it with a new one.